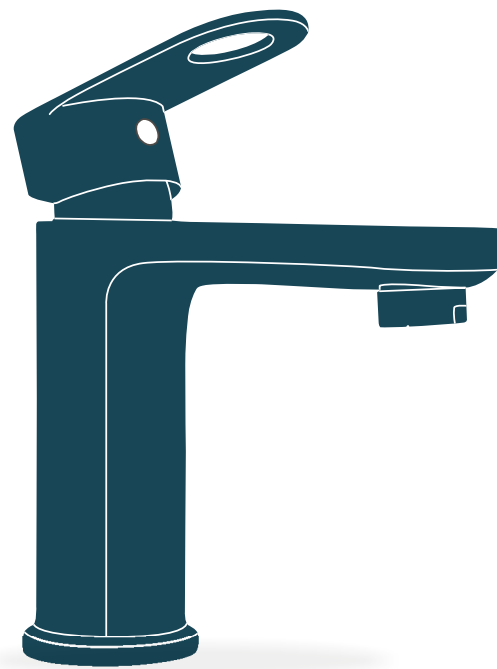


PYLON[®]
BATH FITTINGS



PYLON[®]
BATH FITTINGS

Bathing Style with a Difference



Manufacturing By :

PYLON INDUSTRIES

Delhi (India)

Email: pylonbath@gmail.com

Web.: www.pylonindustries.com

It's time to

Get

Inspired

by

PYLON[®]
BATH FITTINGS



BE INSPIRED!

For This Edition of Our Catalogue We Wanted To Take You On A Journey Through All Our **Innovation** Products. Crafted From Our Deep **Experience**

We Want To Take You By The Hand, And Share With You Our **Creative** Process, Explore The Boundaries of Our Imagination.

A Deep Sea of Places, Faces, **Ideas**. A Set of Choices, of Connections, From Which Finally Emerges A Unique And Particular Horizon: Our Own.

Immerse Yourself In Our World of **PYLON**



How Do We Do It

In the most recent years we have been undertaking a process of corporate transformation, adapting the production according to the principles of lean production and, more generally, of lean thinking. The objective is to improve production performance, optimizing working times and methods. Not only that, in line with the eco-friendly mission that has characterized the company since its creation, we have started a digitalization work to eliminate 100% paper documents, both in the production and commercial departments.

DESIGN



Our products are born from ideas, wit and mastery of our Team. Every single production cycle is checked and analyzed in detail. In the design and planning phase, the style office analyzes both shapes and materials the tap will be manufactured with. In the technical office the product is engineered through the use of 3D software.

PROTOTYPING



It consists of the creation of wooden prototypes by master craftsmen. This passage allows to check their shapes and ergonomics. Once approved, the product can be industrially manufactured.

CORE & SHELLS CREATION



During this phase the raw bodies of our faucets are obtained by carrying out all the related activities. The process concerns the creation of so-called cores that will be used to get the holes in the fusion, that are the parts that must not be filled by the liquid metal (cast brass). The cores are made of earth and sand mixed with agglomerates obtained by a negative mold called core box.

FOUNDRY CASTING PROCESS



The molten metal (1000o) is stripped from the furnace, collected in a ladle and poured into the metal die through the casting channel. Once solidified and cooled, we extract our raw faucets from the die and with a vibration process the core crumbles into sand to get the channels where water will flow.

TRANSFER TURNERY



Industrial production process, for different mechanical machining, obtained by chip removal. Turnery is defined by a rotary piece motion and a mostly straight tool movement (in milling and drilling the tool has instead a rotary motion)

CLEANING / FROSTING



Metal working processes that prepare the activities for real metal work such as nickel plating, chrome plating and gilding. This result is obtained by means of very fine and uniform abrasives that reduce the sizes of the surface roughness.

POLISHING



Purpose of the polishing process is to file the microscopic irregularities of the body so as to make the treated surface as smooth as possible, so that the light reflection becomes more uniform.

CHROME PLATING



Chrome-plating involves the immersion of the faucets body to be chromed in a series of basins. In a first series of these ones the piece is degreased and cleaned. The main basin (where the piece stays longer) is that of the electrolytic nickel solution. Before carrying chrome, it is crucial to create a layer of nickel to uniform the metal surface as microscopically as possible.

PYLON[®]
BATH FITTINGS

SUCCESS
is Journey ...

STRIVING FOR EXCELLENCE

Three words that change how we think, create and produce: Form follows Function. It is a principle that equates to a revolution. No form and no function can be considered in isolation. Not ending the developmental process until there's nothing left to be added or removed. Until the product is more than the combination of form and function. With this aspiration in mind, we develop, design and produce faucets, showers and accessories. For bathrooms and kitchen. PYLON innovations with luxury.

OUR ASPIRATIONS

We want to delight our customers with innovative system solutions for bathrooms featuring professional design, top quality and great user benefits. We want to be the most appealing and preferred supplier, and achieve an internationally significant market position through excellence and dependability, particularly when it comes to customer service. We want to achieve profitable growth and sustainable stability for the company by delivering gratifying customer experience.

INDEX

OUR IDEA OF DESIGN & TECHNOLOGY

PYLON[®]
BATH FITTINGS



KUBIX PRIME
12-15



ARIA PRIME
16-17



ORNAMIX
18-21



OPAL PRIME
22-23



NEXA
24-25



SANDWICH
SHOWER
48



TELEPHONIC
SHOWER
49



HEALTH
FAUCET
49



PRESSMATIC
TAPS
49



MOUTH
OPERATED
50



SPEED
26-27



CUTE
30-31



POWER
32-33



PLAZA
34-35



METRO
36-37



HF
ANGLE VALVE
51



LAB COCK
51



GLASS SHELF
51



ALLIED ITEMS
52-53



FLUSH VALVE
53



DOVE
38-39



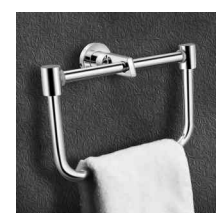
DREAM
40-41



GLOBE
42-43



EVERGREEN
44-45



VENTO
46-47



SINGLE LEVER
54



EXPOSED PART
55



WALL SPOUT
55



CONCEALED
PART
55

PYLON®
BATH FITTINGS



PYLON®
BATH FITTINGS



KUBIX
PRIME

The Source Of Living

Quarter Turn Ceramic Disc



Divertor



KU-501
Bib Cock



KU-502
Long Body



KU-506
Angle Valve



KU-508
Concealed Stop Cock



KU-503
2 in 1 Bib Cock



KU-507
2 in 1 Angle Valve



KU-504
Pillar Cock

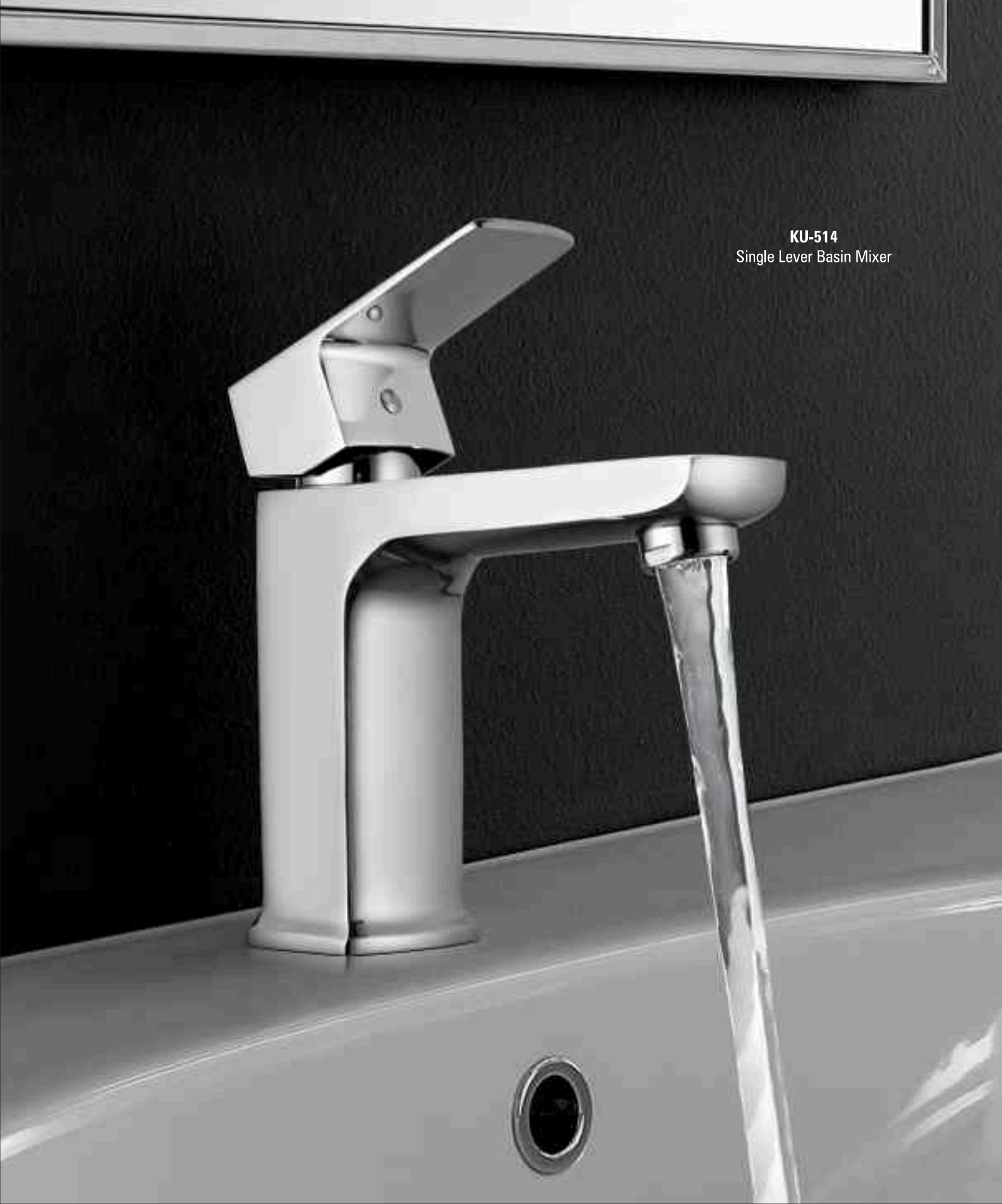


KU-513
Swan Neck with Square Pipe



KU-512
Swan Neck with Round Pipe

Quarter Turn Ceramic Disc



KU-514
Single Lever Basin Mixer



KU-511
Sink Cock with Square Spout



KU-510
Sink Cock with Round Spout



KU-516
Sink Mixer with Square Spout



KU-515
Sink Mixer with Round Spout



KU-525
Wall Spout Plain



KU-526
Wall Spout Tip Ton



KU-523
Wall Mixer with L Bend

Quarter Turn Ceramic Disc

AR-614
Single Lever Basin Mixer
Tall Body



AR-613
Single Lever Basin Mixer



AR-601
Bib Cock



AR-602
Long Body



AR-606
Angle Valve



AR-604
Pillar Cock



AR-612
Swan Neck



AR-611
Sink Cock



AR-605
Extended Pillar Cock



AR-615
Sink Mixer



AR-623
Wall Mixer with L Bend

Quarter Turn Ceramic Disc



OR-713
Single Lever Basin Mixer



OR-716
Diverter with Exposed Part



OR-727
Wall Spout Tip Ton



OR-726
Wall Spout Plain



OR-719
Single Lever Wall Mounted
Basin Mixer

OR-720
Single Lever
Table Mounted Sink Mixer



Single Lever Sink Mixer
Wall Mounted

Quarter Turn Ceramic Disc



OR-705
ORNA
Extended Pillar Cock



OR-701
Bib Cock



OR-702
Long Body



OR-706
Angle Valve



OR-708
Concealed Stop Cock



OR-704
Pillar Cock



OR-710
Centre Hole Basin Mixer



OR-712
Swan Neck



OR-711
Sink Cock



OR-715
Sink Mixer



OR-724
Wall Mixer with L Bend

Quarter Turn Ceramic Disc



OP-813
Single Lever Basin Mixer



OP-801
Bib Cock



OP-802
Long Body



OP-806
Angle Valve



OP-808
Concealed Stop Cock



OP-804
Pillar Cock



OP-810
Centre Hole Basin Mixer



OP-812
Swan Neck



OP-811
Sink Cock



OP-815
Sink Mixer



OP-826
Wall Spout Plain



OP-827
Wall Spout TipTon



OP-805
Extended Pillar Cock

Quarter Turn Ceramic Disc



NX-901
Bib Cock



NX-902
Long Body



NX-905
Angle Valve



NX-907
Concealed Stop Cock



NX-904
Pillar Cock



NX-903
2 in 1 Bib Cock



NX-909
Centre Hole Basin Mixer



NX-912
Swan Neck



NX-911
Sink Cock



NX-913
Sink Mixer



NX-914
Wall Mixer Non Telephonic



NX-917
Wall Mixer with L Bend



NX-910
Single Lever Basin Mixer

Quarter Turn Ceramic Disc



SP-1009
Centre Hole Basin Mixer



SP-1001
Bib Cock



SP-1002
Long Body



SP-1005
Angle Valve



SP-1004
Pillar Cock



SP-1003
2 in 1 Bib Cock



SP-1006
2 in 1 Angle Valve



SP-1011
Swan Neck



SP-1010
Sink Cock



SP-1012
Sink Mixer



SP-1013
Wall Mixer Non Telephonic

PYLON®
BATH FITTINGS



LUXURY
for everyone

Quarter Turn Ceramic Disc



CU-1109
Centre Hole Basin Mixer



CU-1101
Bib Cock



CU-1102
Long Body



CU-1105
Angle Valve



CU-1104
Pillar Cock



CU-1103
2 in 1 Bib Cock



CU-1106
2 in 1 Angle Valve



CU-1100
Nozal Bib Cock



CU-1111
Swan Neck



CU-1110
Sink Cock



CU-1116
Wall Mixer with L Bend

Quarter Turn Ceramic Disc



PW-1201
Bib Cock



PW-1202
Long Body



PW-1205
Angle Valve



PW-1204
Pillar Cock



PW-1211
Swan Neck



PW-1210
Sink Cock



PW-1212
Sink Mixer



PW-1209
Centre Hole Basin Mixer



Quarter Turn Ceramic Disc



PL-1411
Centre Hole Basin Mixer



PL-1401
Bib Cock



PL-1403
Long Body



PL-1407
Angle Valve



PL-1409
Concealed Stop Cock



PL-1406
Pillar Cock



PL-1405
2 in 1 Bib Cock



PL-1413
Swan Neck



PL-1412
Sink Cock



PL-1414
Sink Mixer



PL-1415
Wall Mixer Non Telephonic

Quarter Turn Ceramic Disc



MT-1501
Bib Cock



MT-1502
Long Body



MT-1505
Angle Valve



MT-1504
Pillar Cock



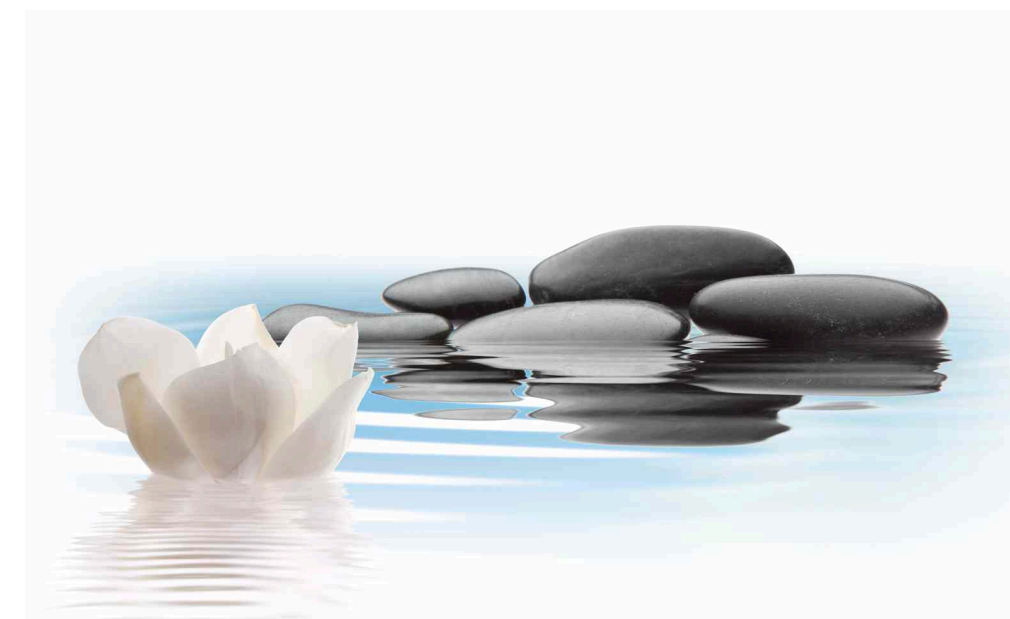
MT-1511
Swan Neck



MT-1510
Sink Cock



MT-1518
Wall Spout Plain



MT-1509
Centre Hole Basin Mixer

Quarter Turn Ceramic Disc



DV-1609
Centre Hole Basin Mixer



DV-1601
Bib Cock



DV-1602
Long Body



DV-1605
Angle Valve



DV-1607
Concealed Stop Cock



DV-1604
Pillar Cock



DV-1611
Swan Neck



DV-1610
Sink Cock



DV-1612
Sink Mixer



Quarter Turn Ceramic Disc



DR-1709
Centre Hole Basin Mixer



DR-1701
Bib Cock



DR-1702
Long Body



DR-1704
Pillar Cock



DR-1707
Concealed Stop Cock



DR-1703
2 in 1 Bib Cock



DR-1706
2 in 1 Angle Valve



DR-1711
Swan Neck



DR-1710
Sink Cock

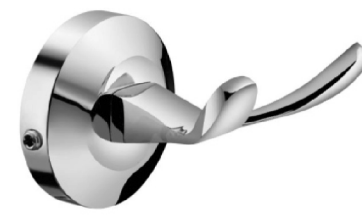


DR-1712
Sink Mixer

Made of BRASS



6003.
Towel Ring



6005
Robe Hook



6002
Soap Dish



6004
Tumbler Holder



6001
Towel Rod 24"



6009
Toilet Paper Holder



6008
Towel Rack 24"

Made of BRASS



6103
Towel Ring



6105
Robe Hook



6102
Soap Dish



6104
Tumbler Holder



6101
Towel Rod 24"



6109
Toilet Paper Holder



6108
Towel Rack 24"

Made of BRASS



6203
Towel Ring



6205
Robe Hook



6202
Soap Dish



6204
Tumbler Holder



6209
Toilet Paper Holder



6201
Towel Rod 24"



6208
Towel Rack 24"

SANDWICH SHOWERS



Sandwich (4" x 4")



Sandwich (6" x 6")



Sandwich (8" x 8")

TELEPHONIC SHOWER



5102
Round S/F ABS



5101
Square ABS



5100
Marigold M/F ABS

HEALTH FAUCETS



5105
Regular Brass



5106
Dolphin Brass



5107
Slim Brass



9010
Pillar Cock
Auto Closing

PRESSMATIC TAPS

CONTROL THE FLOW OF WATER WITH
JUST ONE TOUCH!



9011
Long Body
Auto Closing



9012
Angle Cock
Auto Closing

MOUTH OPERATED



15" Swan Neck



12" Swan Neck



Bib Cock



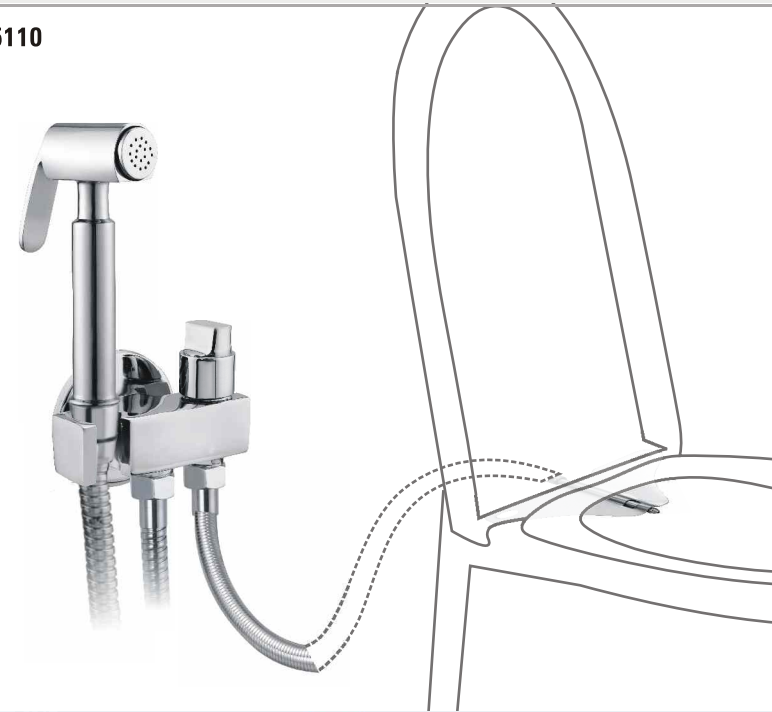
Long Body



9" Swan Neck

HEALTH FAUCET
ANGLE VALVE

5110



LAB COCKS



9007
Laboratory
Bib Cock



9008
Laboratory
Long Body



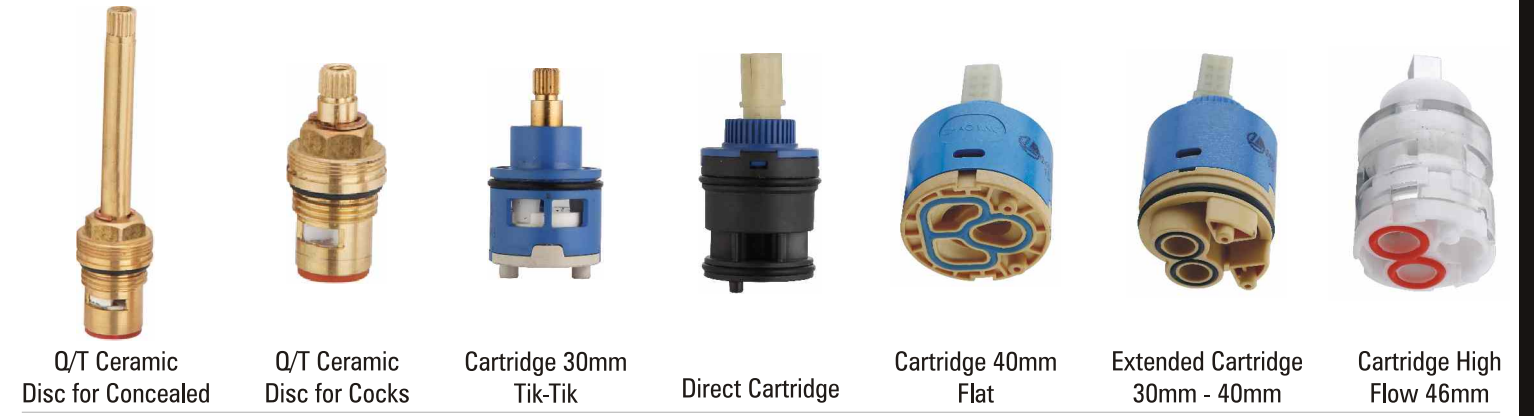
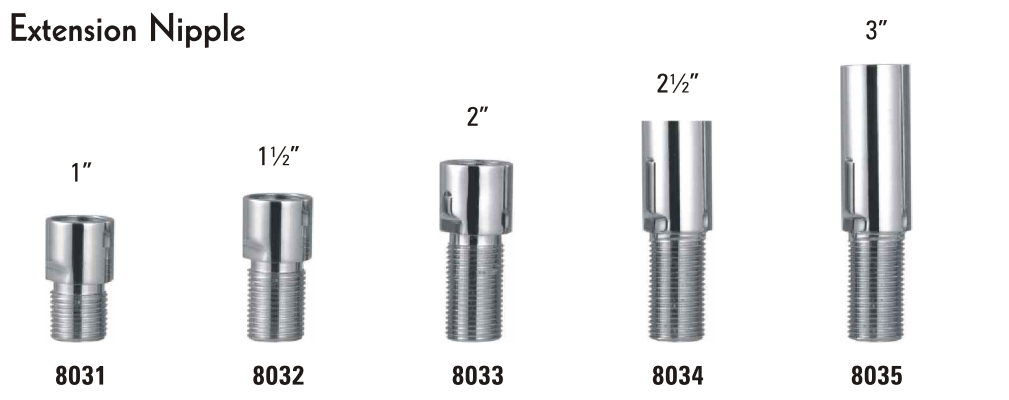
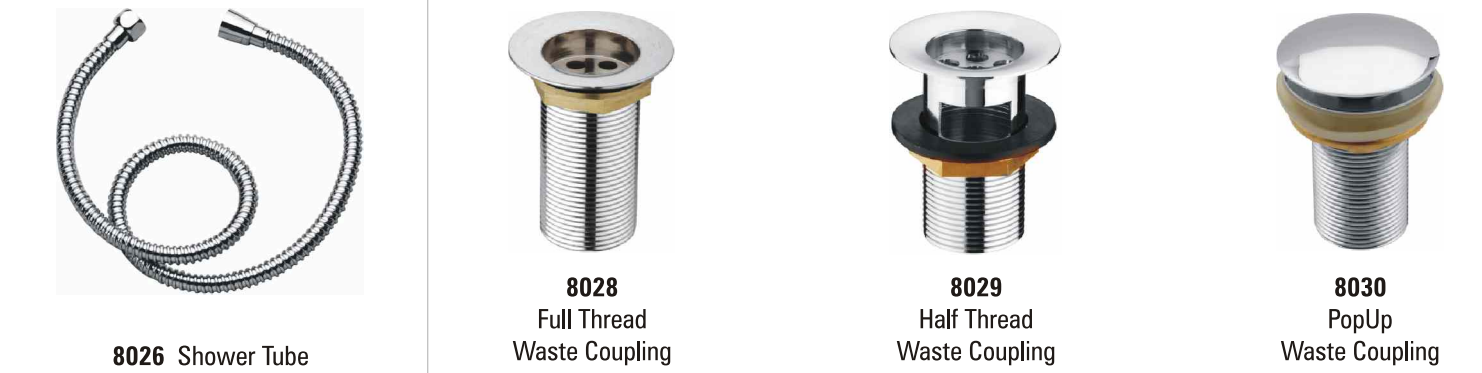
GLASS SHELVES



9005
Glass Shelf Corner 10"



9006
Glass Shelf Straight

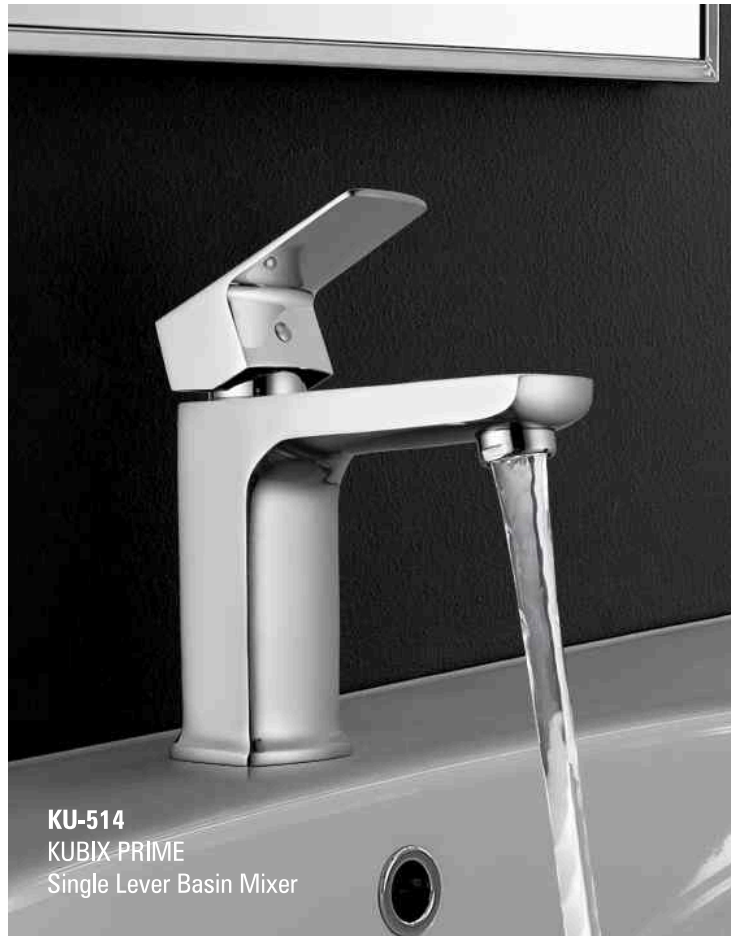


Push Button Flush Valve

FLUSH VALVES



Lever Type Flush Valve



KU-514
KUBIX PRIME
Single Lever Basin Mixer



OR-713
ORNAMIX
Single Lever Basin Mixer



AR-613
ARIA PRIME
Single Lever Basin Mixer



OP-813
OPAL PRIME
Single Lever Basin Mixer



KUBIX PRIME
Diverter



ORNAMIX
Diverter



OPAL PRIME
Diverter



ARIA PRIME
Diverter

WALL SPOUTS



KUBIX PRIME
Wall Spout Plain



KUBIX PRIME
Wall Spout TipTon



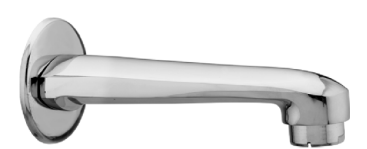
ORNAMIX / OPAL PRIME
Wall Spout Plain



ORNAMIX / OPAL PRIME
Wall Spout TipTon



ARIA PRIME
Wall Spout Plain



METRO
Wall Spout Plain

CONCEALED BODY FOR DIVERTOR & WALL MOUNTED



4 way (46mm) High Flow
Single Lever Diverter Body



4 way (40mm) High Flow
Single Lever Diverter Body



4 way (46mm) Push Button
High Flow Single Lever
Diverter Body



Concealed Body of S/L
Wall Mounted Basin Mixer